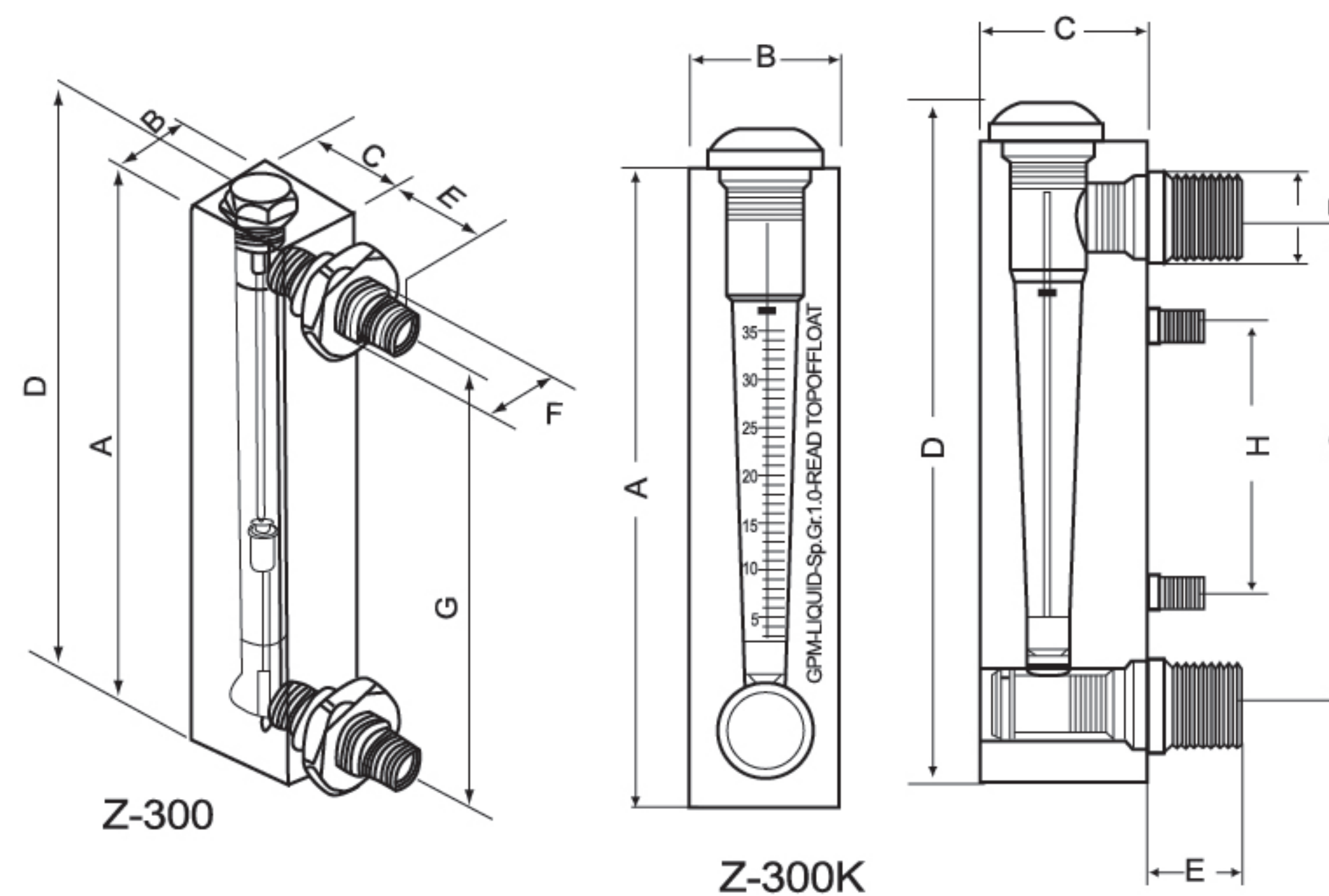
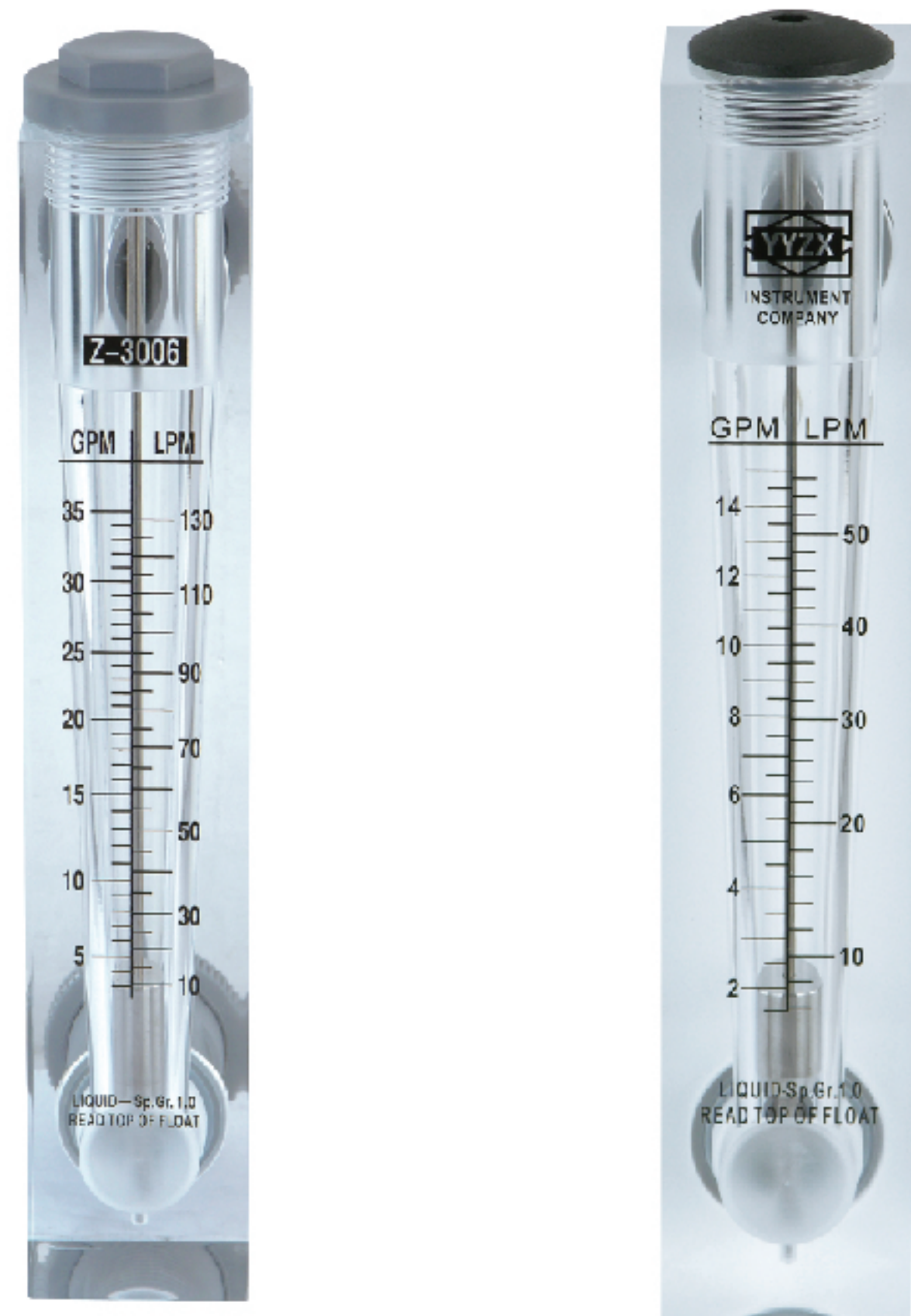


The Series Z-300/Z-300K Acrylic Flowmeter

Solid acrylic block production, sturdy and durable



The Series Z-300/Z-300K Acrylic Flowmeter is a variable area flowmeter whose measuring tubes are made of a solid acrylic block. As fluid passes through the pipe, the float suspends itself under the influence of fluid dynamics and gravity. The greater the fluid flow, the higher the float rises, allowing direct reading of the flow value from its position. With high transparency, impact resistance, and excellent chemical compatibility, this acrylic flowmeter becomes a preferred tool for laboratories, food & pharmaceutical industries, and measurement of corrosive media with small to medium flow rates. Its lightweight design, low cost, and ease of observation give it significant advantages in all applications.

SPECIFICATIONS	
Service	Compatible liquids
Material	Body: Acrylic; O-ring: Silicone Rubber; Connection: 304 Stainless Steel
Accuracy	±5%
Temperature Rating	0°C to 55°C
Pressure Rating	Less than 0.6MPa

FEATURES

- The rotor floats with the fluid, no mechanical wear, low maintenance costs, and a long service life.
- Lightweight and cost-effective, it provides an economical flow measurement solution.
- Installed vertically without requiring straight pipe sections.
- The transparent pipe allows for direct observation of the fluid status and rotor position, facilitating easy reading.

APPLICATIONS

- Pharmaceutical Industry
- Semiconductor Industry
- Food and Beverage Industry
- Urban Water Supply and Drainage
- Environmental Protection
- New Energy Industry
- Scientific research institution

MODEL CHART		
Model	Z-3000	Dual Scale: 0.03 GPM - 0.35 GPM / 0.1 LPM - 1.4LPM, BSP 1/2"Male, AxBxCxDxExFxG = 206x34x40x215x31x20x165mm, 0.4Kg
	Z-3001	Dual Scale: 0.2 GPM - 2 GPM / 1 LPM - 7 LPM, BSP 1/2"Male, AxBxCxDxExFxG = 206x34x40x215x31x20x165mm, 0.4Kg
	Z-3002	Dual Scale: 0.5 GPM - 5 GPM / 1.8 LPM-18LPM, BSP 1/2"Male, AxBxCxDxExFxG = 206x34x40x215x31x20x165mm, 0.4Kg
	Z-3003	Dual Scale: 2 GPM - 10 GPM / 5 LPM - 40 LPM, BSP 3/4"Male, AxBxCxDxExFxG = 220x41x45x233x47x33x165mm, 0.6Kg
	Z-3004	Dual Scale: 2 GPM - 16 GPM / 10 LPM - 60LPM, BSP 3/4"Male, AxBxCxDxExFxG = 220x41x45x233x47x33x165mm, 0.6Kg
	Z-3005	Dual Scale: 4 GPM - 24 GPM / 20 LPM - 100 LPM, BSP 1"Male, AxBxCxDxExFxGxH = 240x44x50x253x47x33x175mm, 0.7Kg
	Z-3006	Dual Scale: 5 GPM - 35 GPM / 30 LPM - 130 LPM, BSP 1"Male, AxBxCxDxExFxGxH = 240x44x50x253x47x33x175mm, 0.7Kg
	Z-300K1a	Dual Scale: 0.03 GPM - 0.35 GPM / 0.1 LPM - 1.4 LPM, BSPT 1/2"Male, AxBxCxDxExFxGxH = 168x30x34x176x25x25x127x76mm, 0.3Kg
	Z-300K1	Dual Scale: 0.1 GPM - 1 GPM / 0.5 - 4LPM, BSPT 1/2"Male, AxBxCxDxExFxGxH = 168x30x34x176x25x25x127x76mm, 0.3Kg
	Z-300K2	Dual Scale: 0.2 GPM - 2 GPM / 1 LPM - 7 LPM, BSPT 1/2"Male, AxBxCxDxExFxGxH = 168x30x34x176x25x25x127x76mm, 0.3Kg
	Z-300K2a	Dual Scale: 0.3 GPM - 3 GPM / 2 LPM-11 LPM, BSPT 1/2"Male, AxBxCxDxExFxGxH = 168x30x34x176x25x25x127x76mm, 0.3Kg
	Z-300K3	Dual Scale: 0.5 GPM - 5 GPM / 2 LPM - 18 LPM, BSPT 1/2"Male, AxBxCxDxExFxGxH = 168x30x34x176x25x25x127x76mm, 0.3Kg
	Z-300K4	Dual Scale: 1 GPM - 10 GPM / 5 LPM - 35 LPM, BSPT 1"Male, AxBxCxDxExFxGxH = 226x45x46x232x48x33x165x100mm, 0.6Kg
	Z-300K5	Dual Scale: 2 GPM - 14 GPM / 10 LPM - 50 LPM, BSP T1"Male, AxBxCxDxExFxGxH = 226x45x46x232x48x33x165x100mm, 0.6Kg
Z-300K6	Dual Scale: 2 GPM - 20 GPM / 12LPM - 70 LPM, BSP T1"Male, AxBxCxDxExFxGxH = 226x45x46x232x48x33x165x100mm, 0.6Kg	
Z-300K7	Dual Scale: 5 GPM - 35 GPM / 10LPM - 130 LPM, BSP T1"Male, AxBxCxDxExFxGxH = 226x45x46x232x48x33x165x100mm, 0.6Kg	